

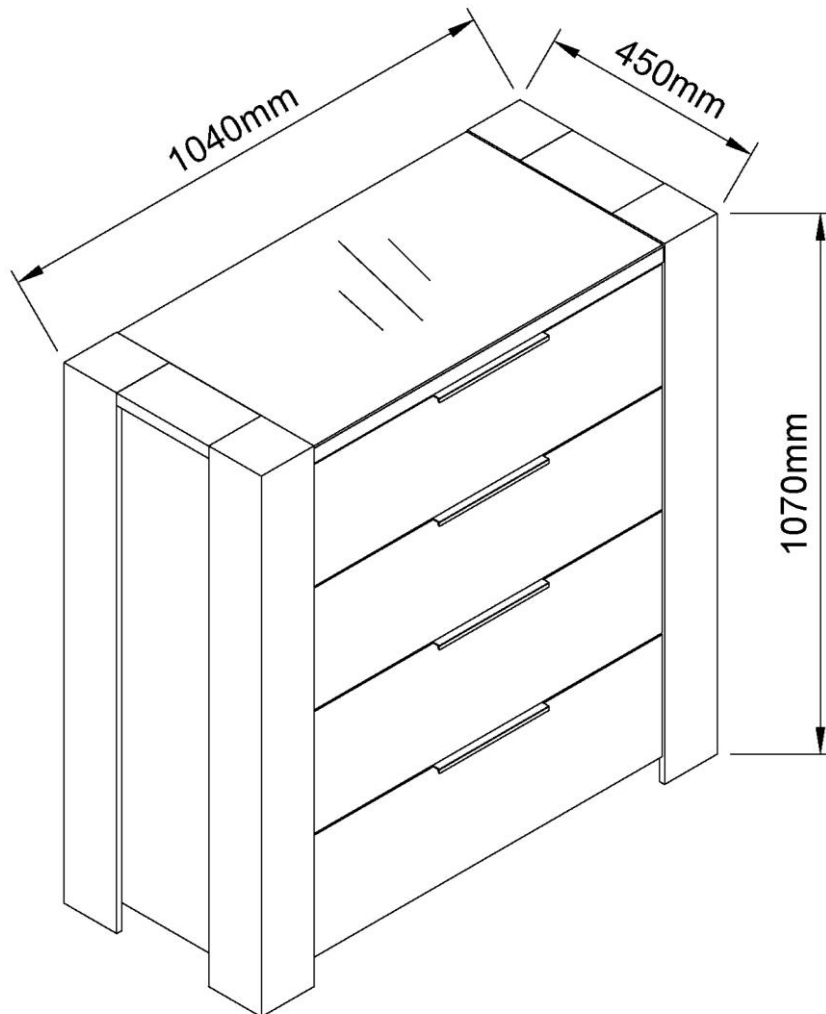


ASSEMBLY INSTRUCTION

ESKO TALL CHEST

ITEM CODE 70375

Imported by Amart Furniture Pty Ltd, Qld, Brisbane Australia.  
For any assistance with assembly or for missing parts please  
phone Amart Furniture , Customer Service Free call 1800 351  
084









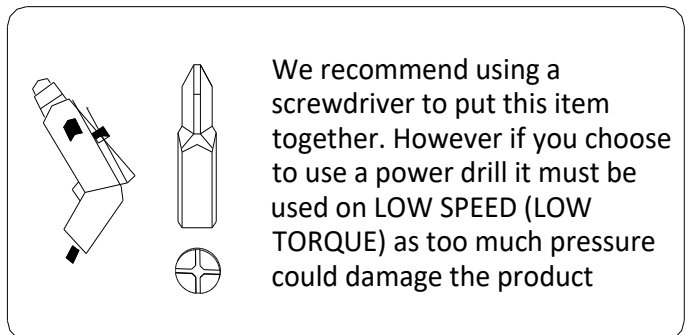
Imported by Amart Furniture Pty Ltd, Qld, Brisbane Australia.  
For any assistance with assembly or for missing parts please phone  
Amart Furniture, Customer Service Free call 1800 351 084

## PRE-ASSEMBLY PREPARATION

### Before you start:

1. Choose a clean, level, spacious assembly area. Avoid hard surfaces that may damage the product
2. Take care when lifting. Product should be assembled as near as possible to the point of use
3. Ensure that you have all required contents for complete assembly
4. Always read the assembly instructions carefully before beginning assembly.
5. Keep all hardware parts and packaging out of reach of small children.
6. Do not over tighten the screws and bolts as this may damage the threads

			
ALLOW 20 MINUTES	2 PEOPLE REQUIRED		
			
TOOLS REQUIRED			



# ! TIPPING WARNING !



**Serious or fatal injuries may occur from furniture toppling over. To help avoid this please follow the below recommendations:**

- Install the provided "Tipping Kit" as per the instructions
- Never allow children to climb on or hang off of any part of this product
- Unless specifically designed to accommodate, do not set TVs or other heavy objects on top of this product

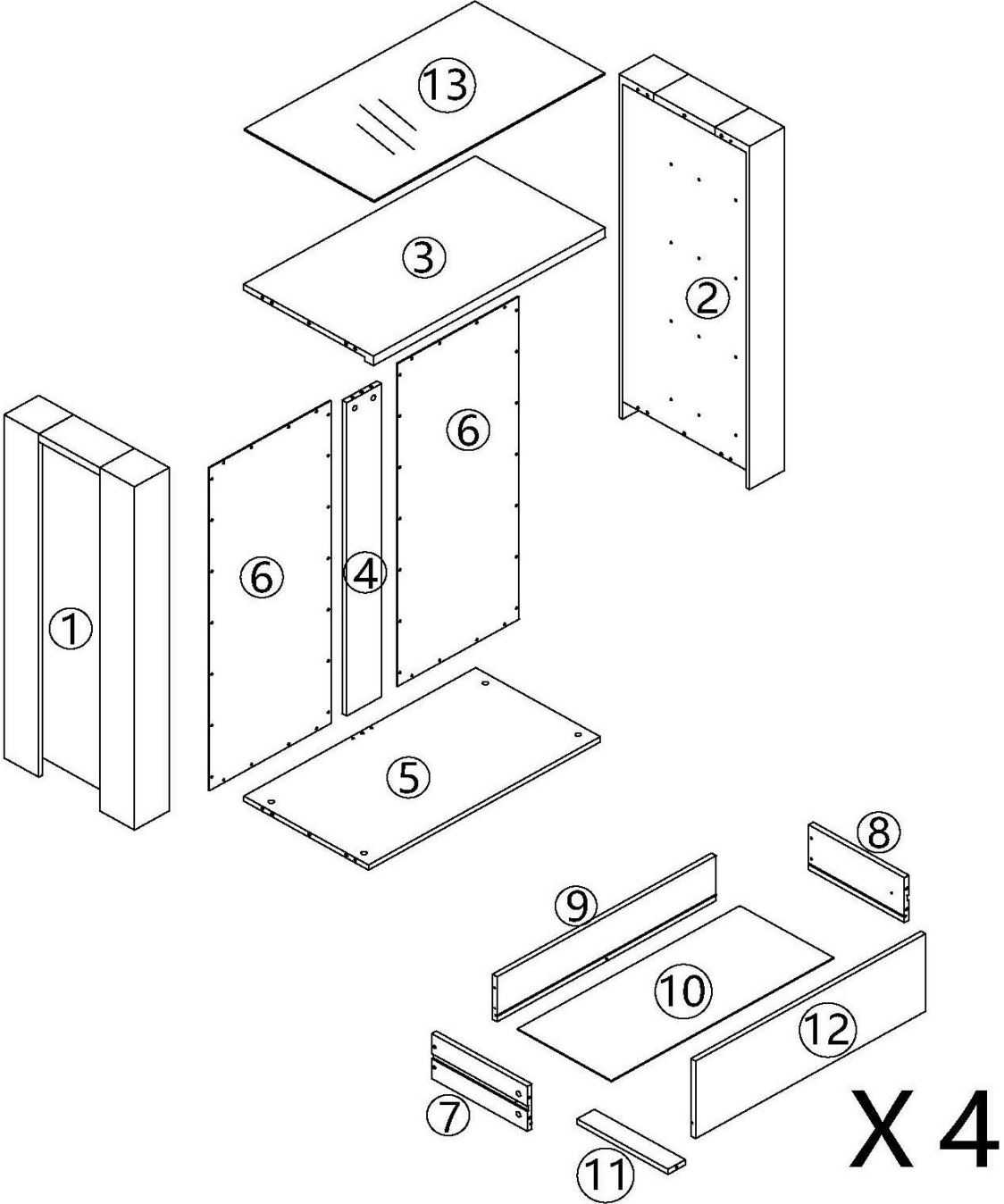
If this product has drawers:

- Place the heaviest items in lowest drawers
- Do not open more than 1 drawer at a time as this may cause the product to become unbalanced
- Do not tamper with or remove any drawer interlocking/running system

**Note: The use of the provided "Tipping Kit" may reduce but not necessarily eliminate the risk of furniture toppling over. Please use this product with caution.**











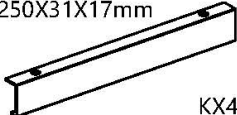
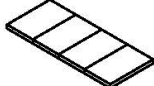

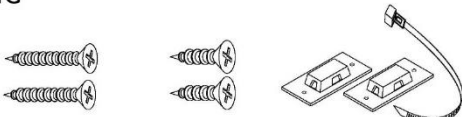
*This is a permanent label. Do not attempt to remove!*

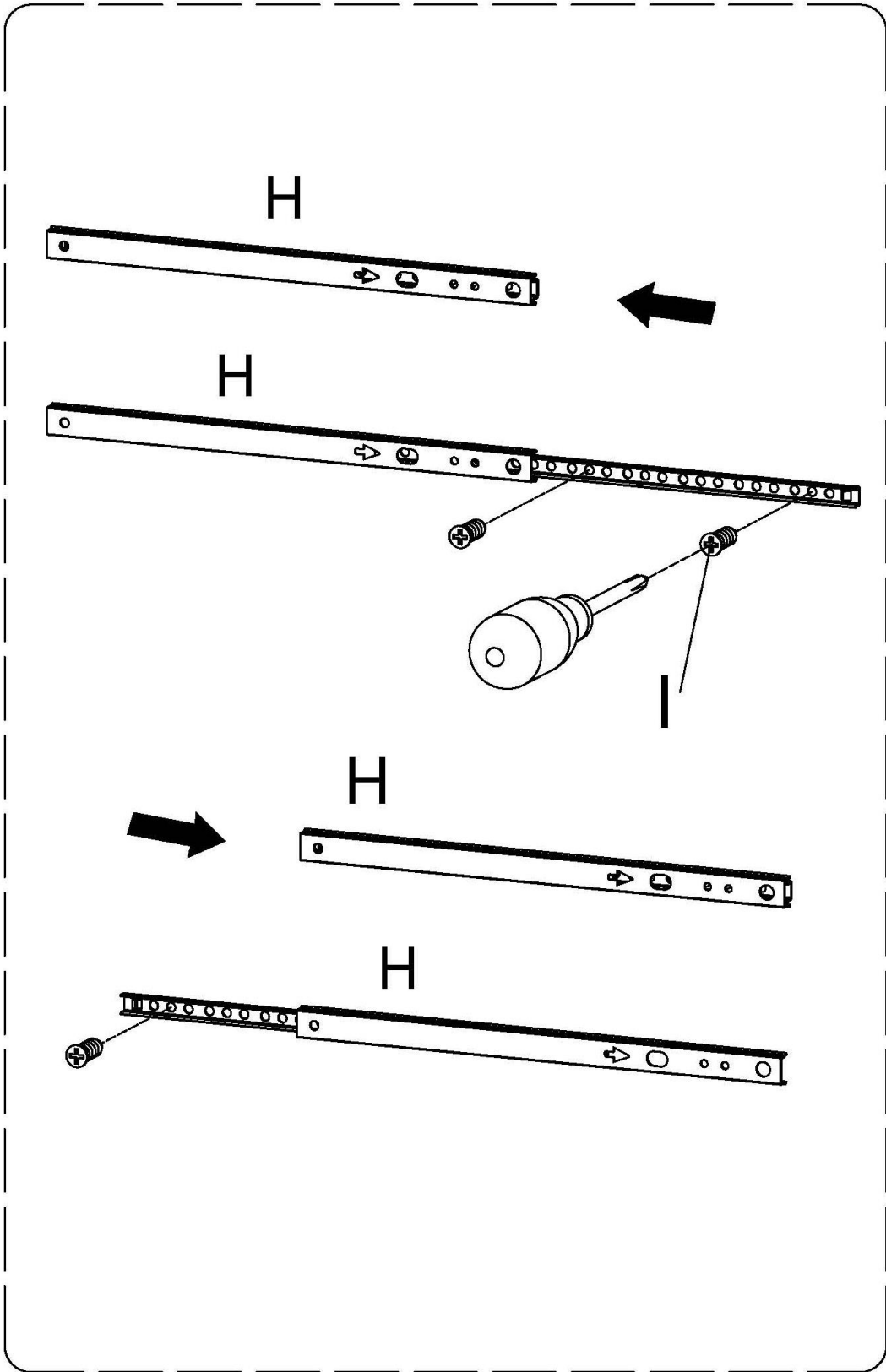
# PARTS LIST



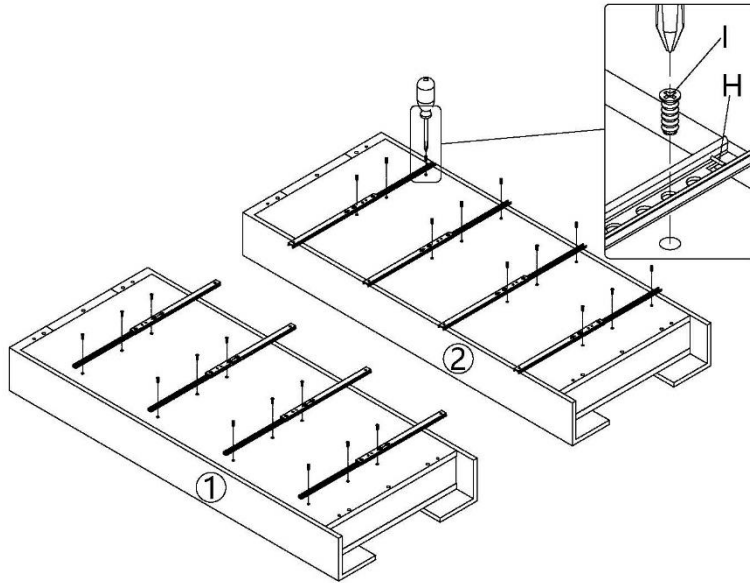
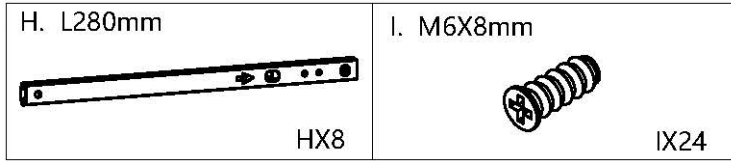
1	SIDE BOARD
2	SIDE BOARD
3	TOP SUPPORT BOARD
4	BACK SUPPORT BOARD
5	BOTTOM BOARD
6	BACK BOARD
7	DRAWER SIDE BOARD

8	DRAWER SIDE BOARD
9	DRAWER BACK BOARD
10	DRAWER BOTTOM BOARD
11	DRAWER SUPPORT BOARD
12	DRAWER SURFACE BOARD
13	GLASS TOP

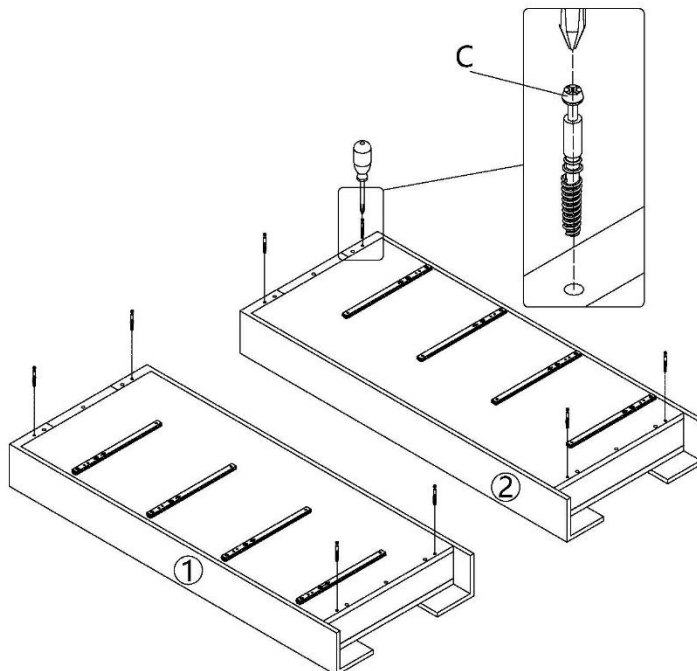
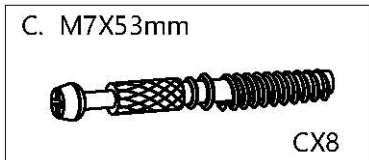
<p>A. <math>\phi 15 \times 12</math></p>  <p>AX30</p>	<p>B. M7X38mm</p>  <p>BX22</p>	<p>C. M7X53mm</p>  <p>CX8</p>	<p>D. <math>\phi 8 \times 40</math>mm</p>  <p>DX14</p>
<p>E. M5X40mm</p>  <p>EX22</p>	<p>F. M4X15mm</p>  <p>FX8</p>	<p>G. M4X14mm</p>  <p>GX44</p>	<p>H. L280mm</p>  <p>HX8</p>
<p>I. M6X8mm</p>  <p>IX24</p>	<p>J. M4X15</p>  <p>JX12</p>	<p>K. 250X31X17mm</p>  <p>KX4</p>	<p>L. 25X15X2mm</p>  <p>LX4</p>
<p>M.</p>  <p>MX2</p>	<p>N. WALL FIXING</p>  <p>M4X30mm      M3.5X14mm</p>		



# STEP:1

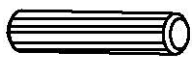


# STEP:2

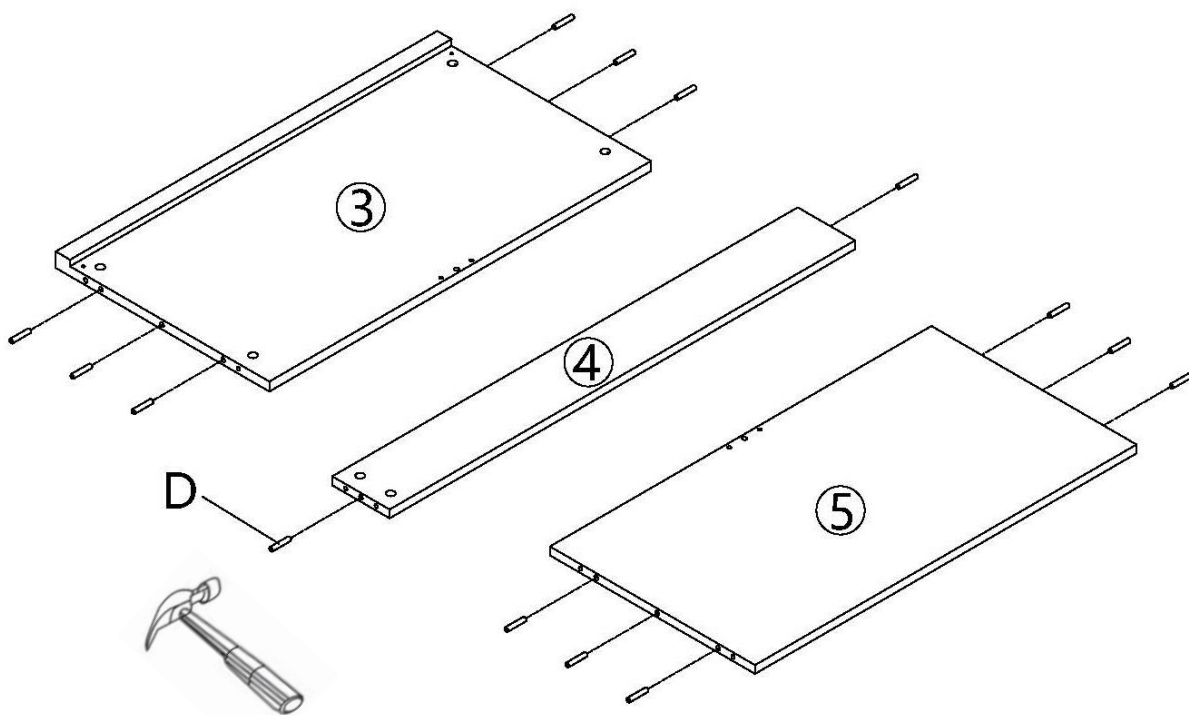


# STEP:3

D.  $\phi 8 \times 40 \text{mm}$



DX14



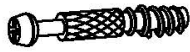
# STEP:4

A.  $\phi 15 \times 12$



AX2

B. M7X38mm



BX22

J. M4X15

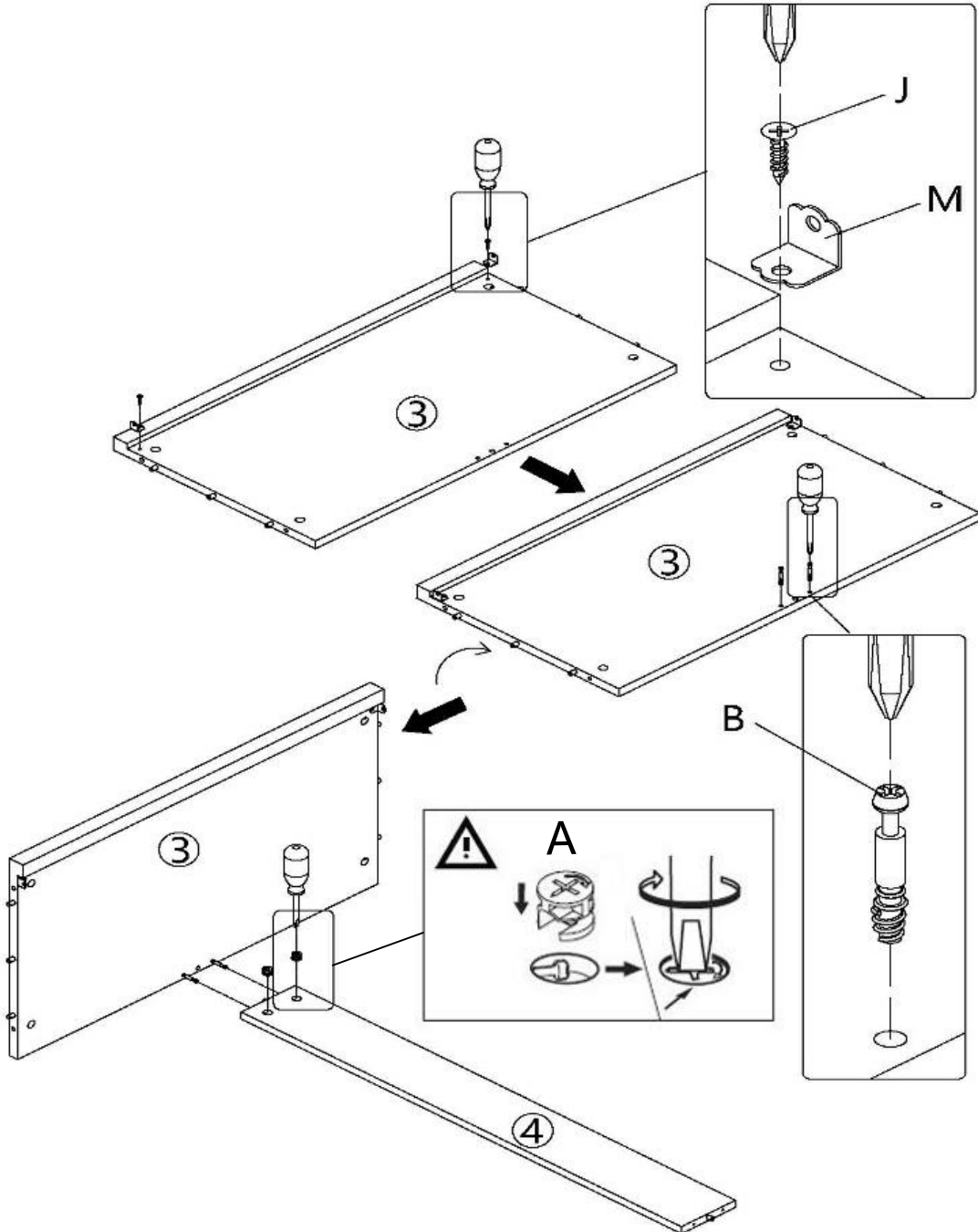


JX2

M.

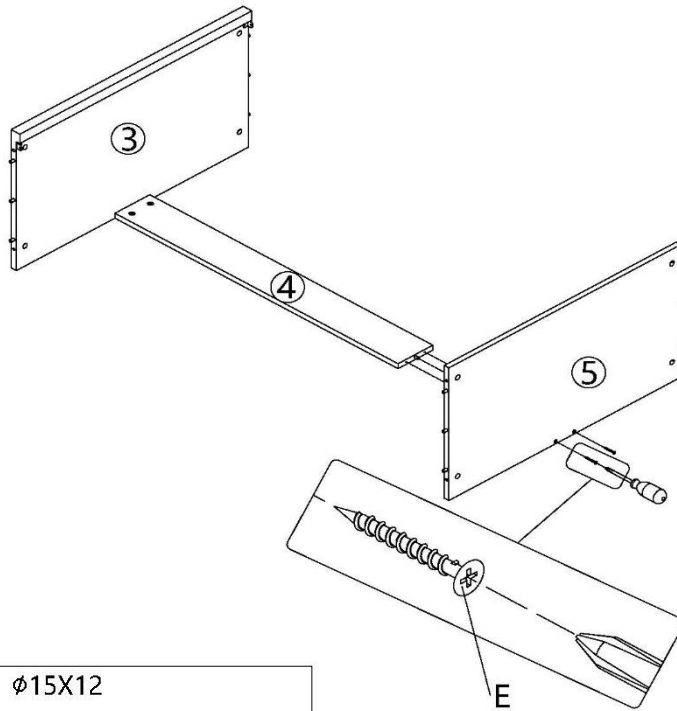
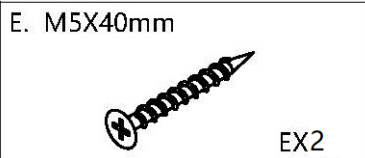


MX2

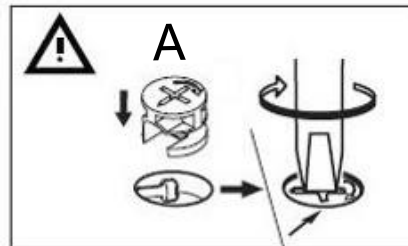
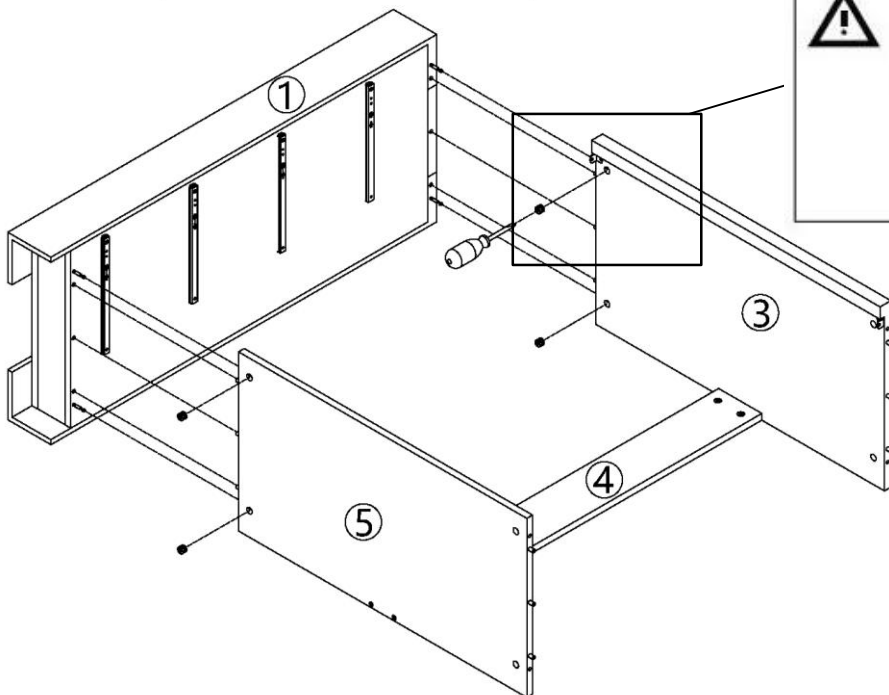




# STEP:5




# STEP:6

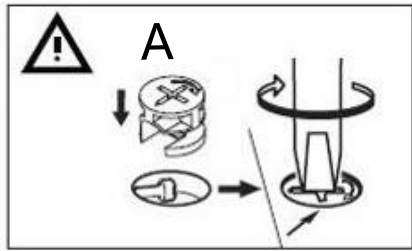
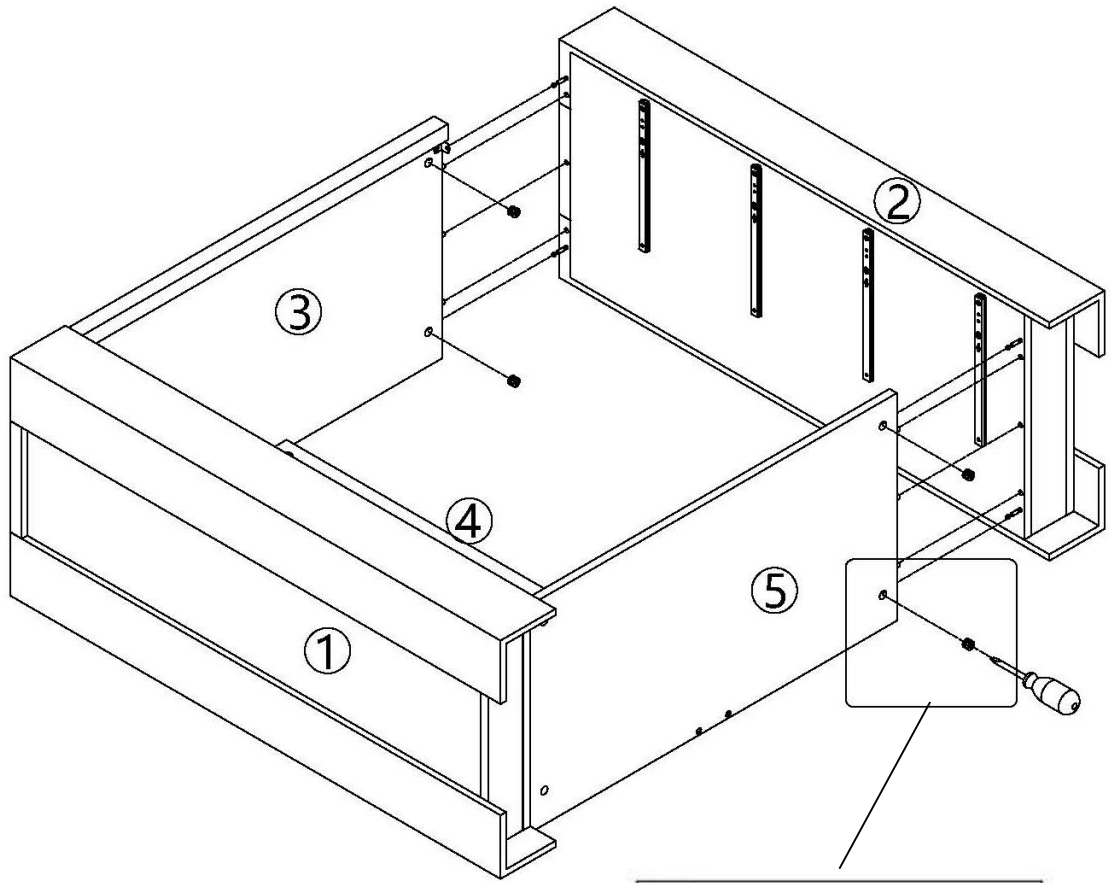


# STEP:7

A.  $\phi 15 \times 12$

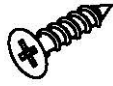


AX4

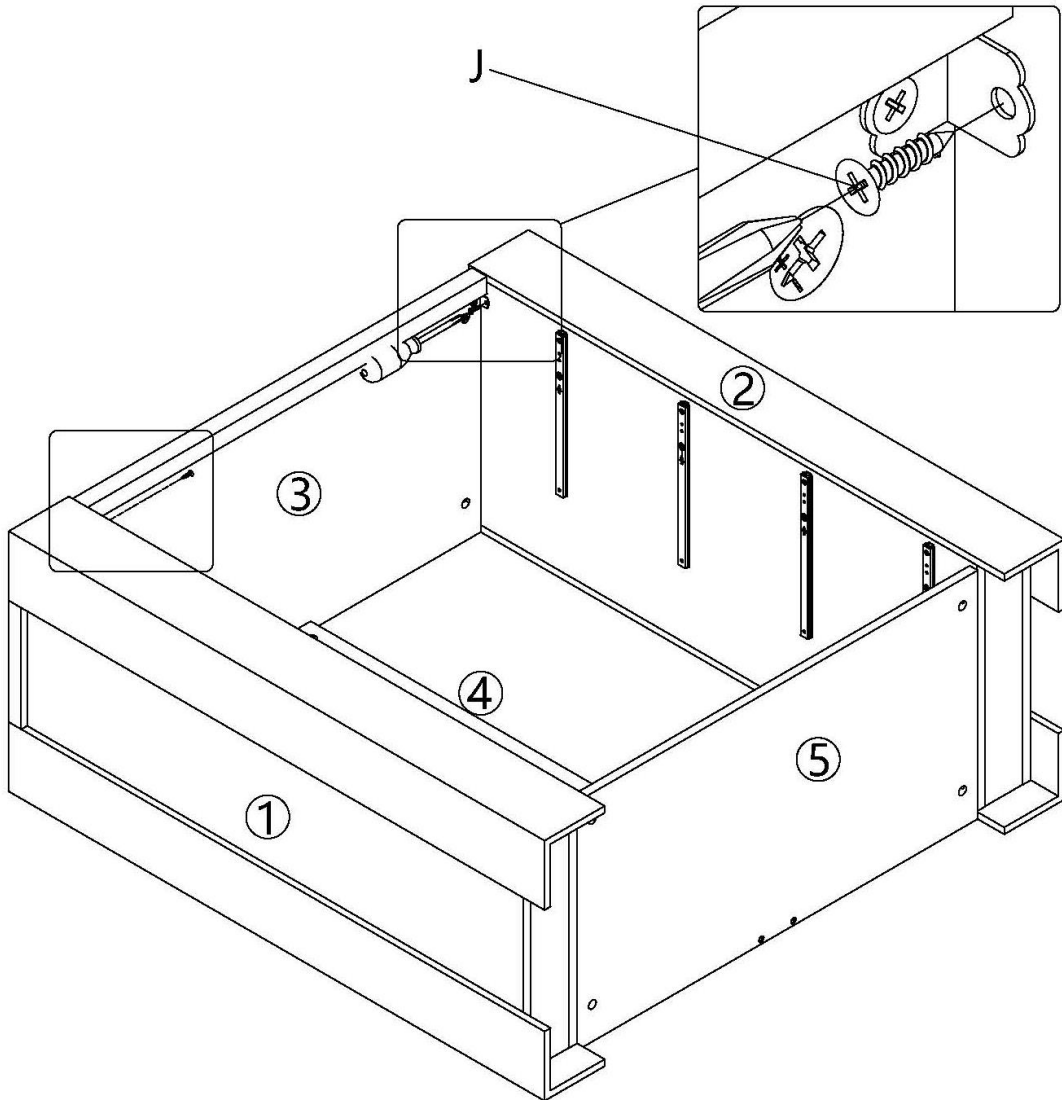


# STEP:8

J. M4X15



JX2

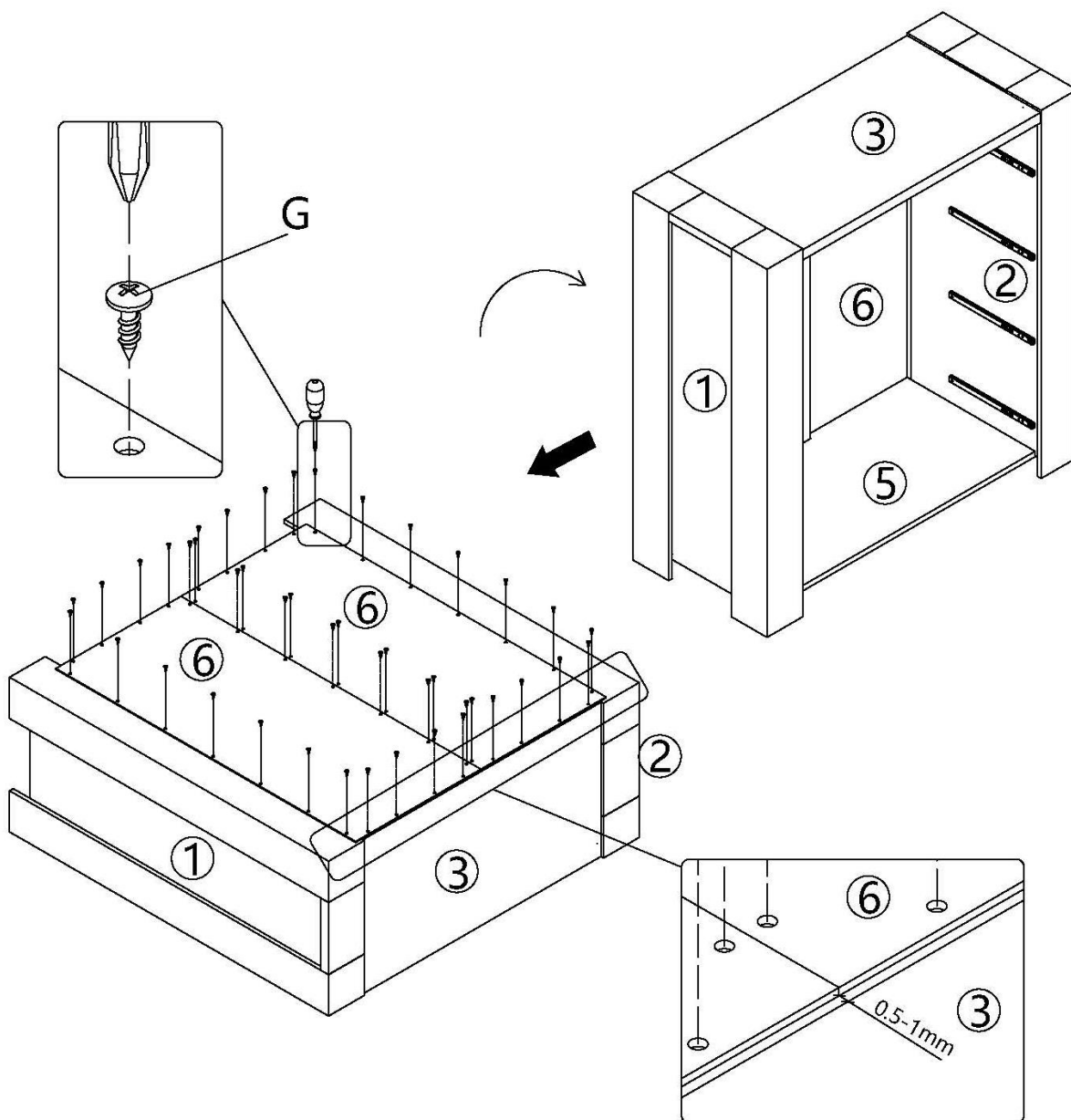


# STEP:9

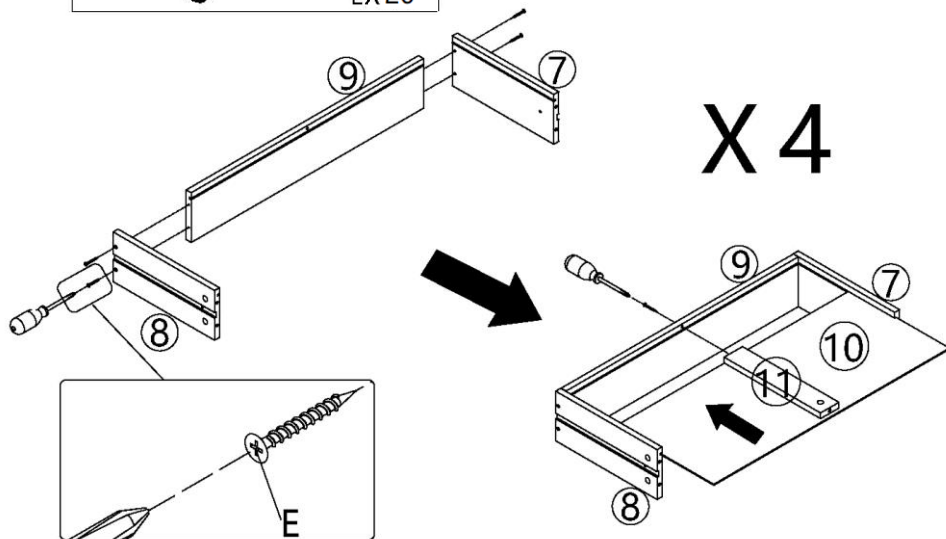
G. M4X14mm



GX44



# STEP:10



# STEP:11

A.  $\phi 15 \times 12$



AX 20

B. M7X38mm



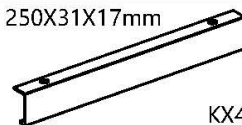
BX 20

J. M4X15

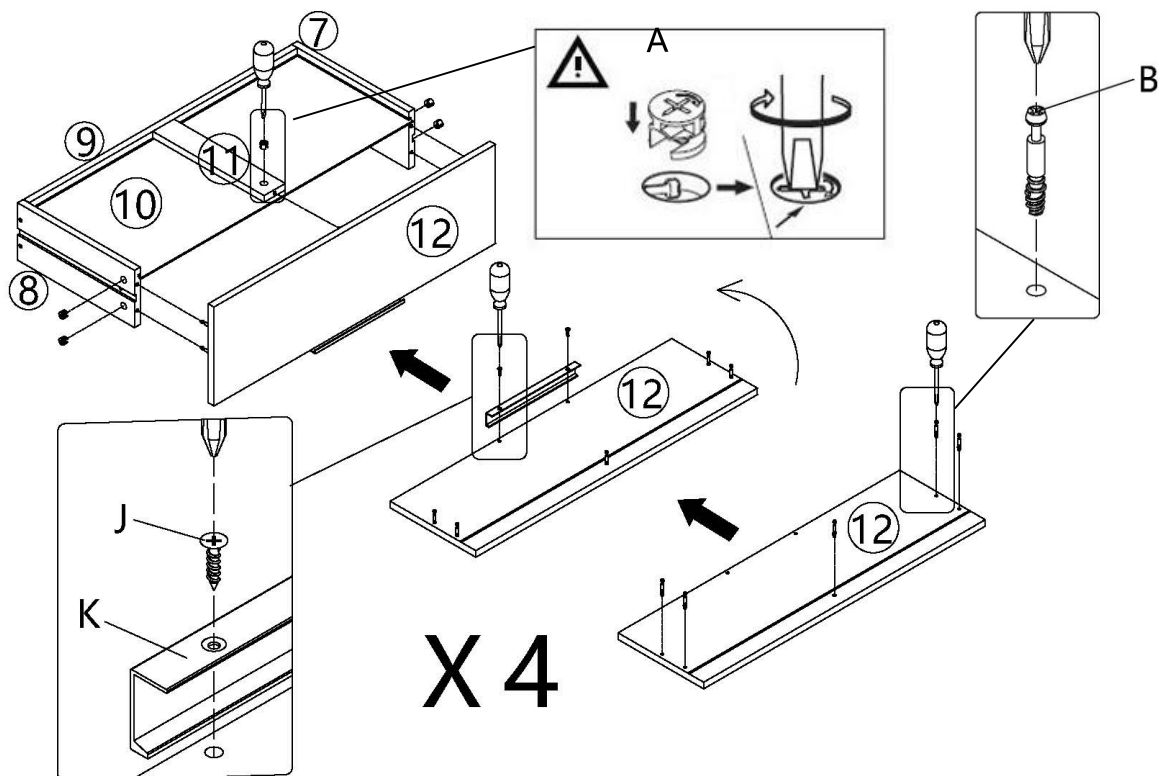


JX 8

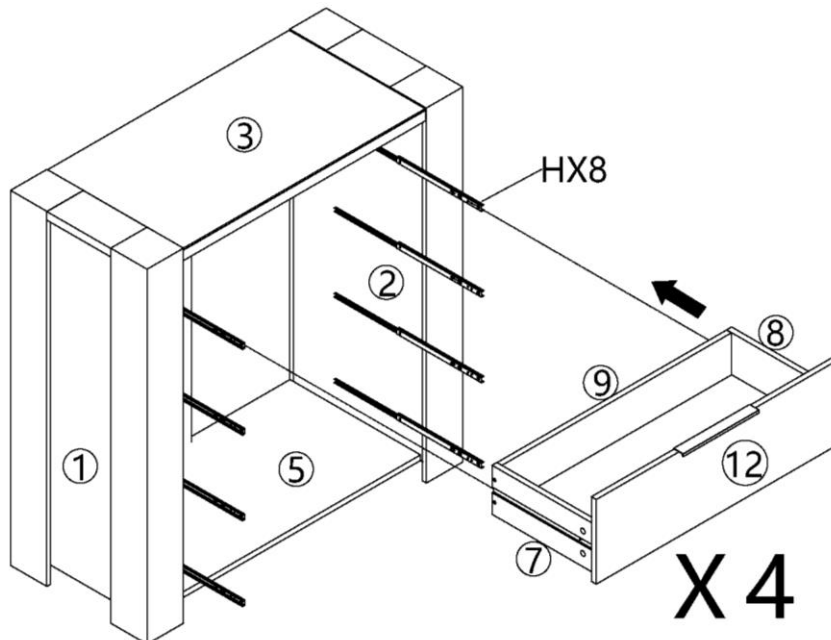
K. 250X31X17mm



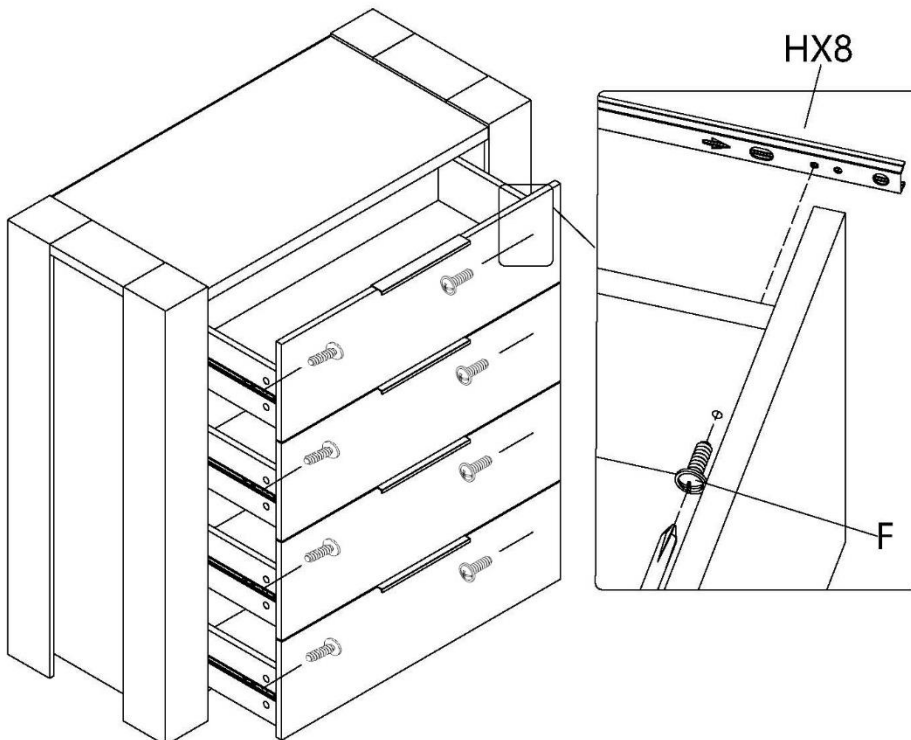
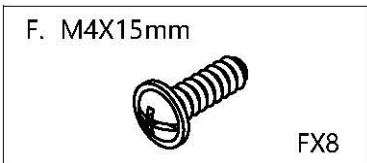
KX 4



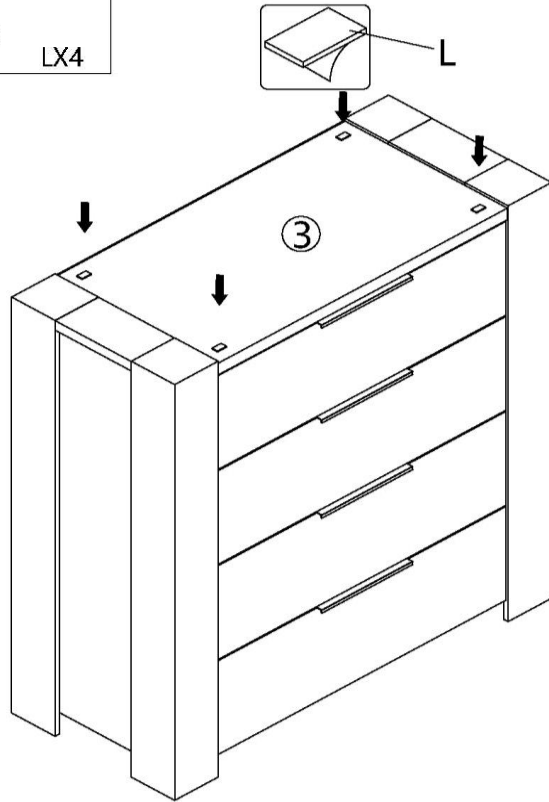
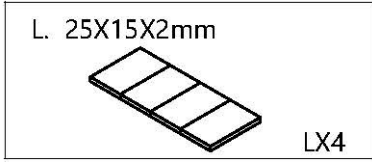
# STEP:12



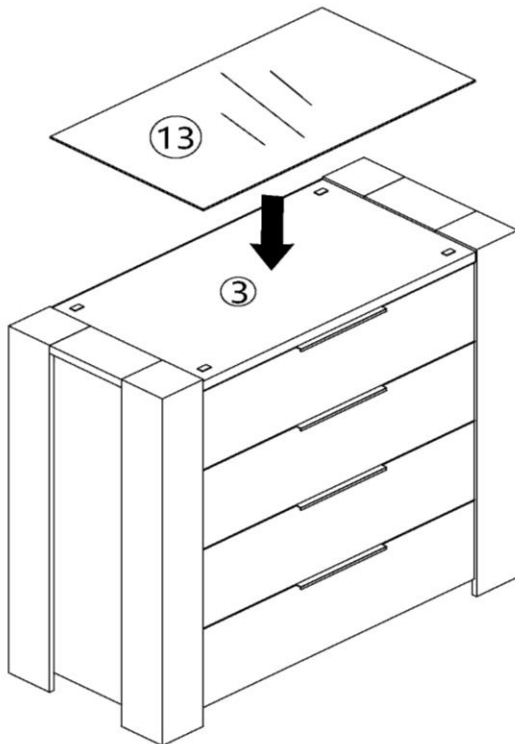
# STEP:13



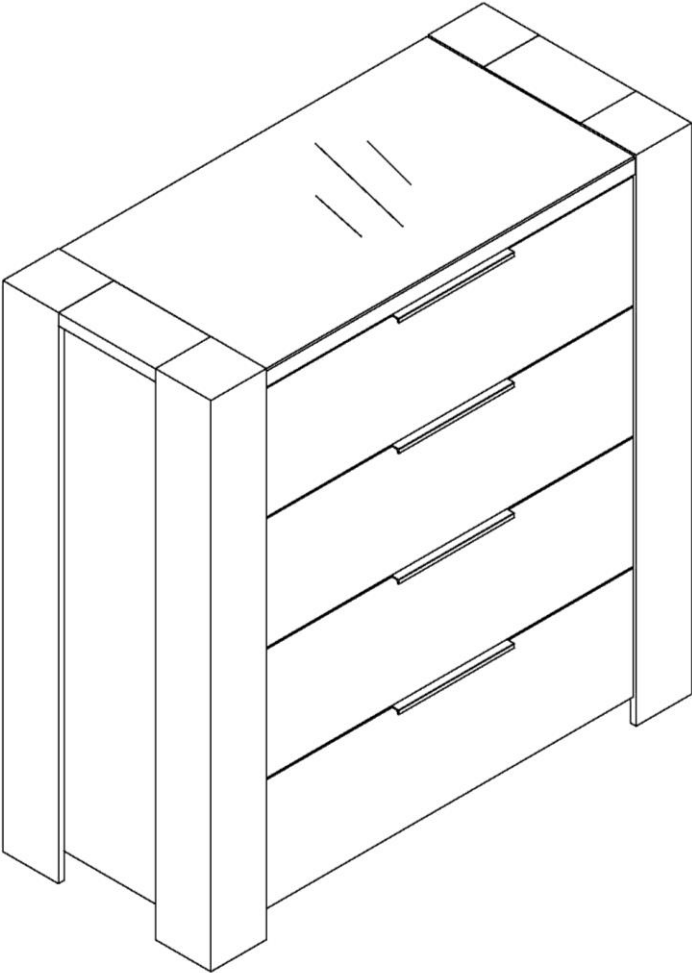
**STEP:14**



**STEP:15**



ASSEMBLY IS COMPLETE





# SAFETY BRACKETS INSTRUCTIONS

1. Attach one Mounting Plate to the wall with the Large Screws. Make sure to attach the Mounting Plate into a stud. If mounting into brick or masonry you will need to acquire wall anchors.
2. Attach the second Mounting Plate to the furniture frame with the Short Screws.
3. Move the furniture to its final position. Thread a Wall Strap through the both Mounting Plates and tighten until snug. Do not over tighten.
4. Make sure that the Mounting Plates are firmly attached to the wall and furniture and that the Wall Strap is snug.

## HARDWARE



Mounting Plate x 2



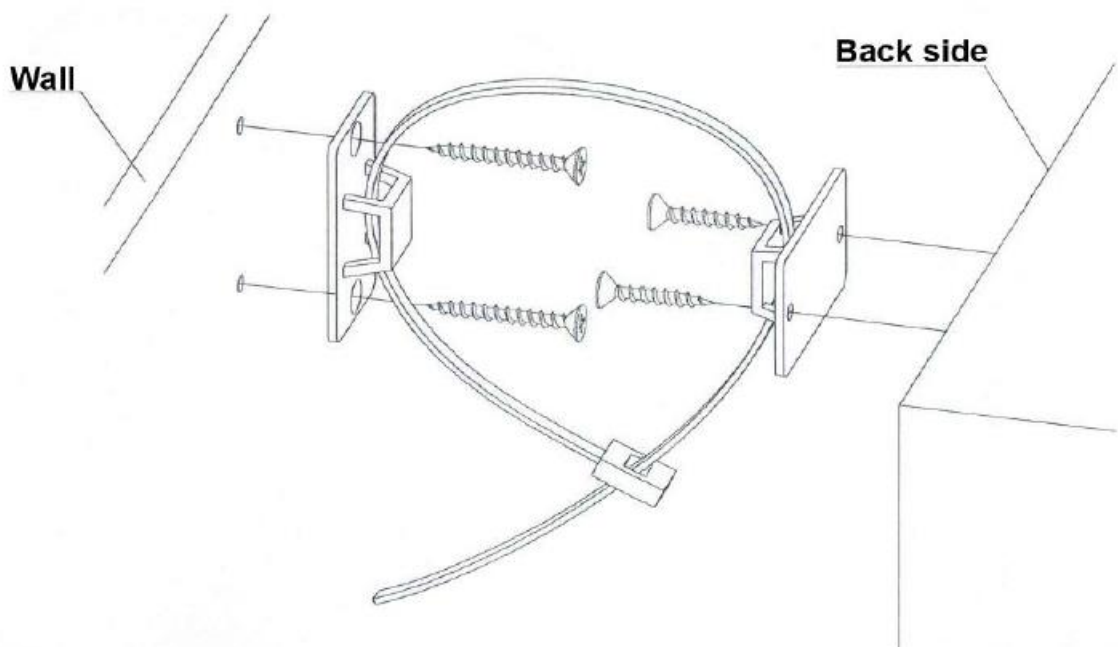
Wall Strap x 1



Large Screw x2



Small Screw x2



To protect your furniture, we suggest the following:

- Avoid placing your furniture in direct sunlight.
- Do not place furniture directly under windows.
- Do not place sharp materials (knife, fork, etc.) directly onto your furniture as sharp material may scrape and damage the finish.
- Do not place material with high temperature directly onto the surface of your furniture.
- Clean up spills quickly. Water left over a prolonged period of time may cause damage. Alcohol, perfume, nail polishes, aftershave and some medication may cause severe finish damage if not cleaned immediately.
- Use a clean, soft, dry, lint free absorbent cloth to clean your furniture. Do not use any detergent as they may contain ingredients that may react and damage the finish.

**WARNING:**

- Do not place very hot or cold items on the glass surface unless adequately thick table mats are used to prevent such items coming in contact with the glass
- Do not sit or stand upon the glass surface
- Do not use the glass as a chopping surface
- Do not strike the glass with hard or pointed items
- When cleaning the glass panels use a damp cloth or leather with washing up liquid or soft soap if necessary. Do not use washing powders or any other substances containing abrasives since these may scratch the glass